

TECHNICAL BULLETIN



The present technical bulletin contains technical information aimed to support/improve Navalimpianti Tecnimpianti equipment in operation.

This Technical Bulletin applies to:
All types of Davits

Technical Bulletin Nr. 024-21



**Service
& Commissioning**
by Navim Group

Technical Bulletin Nr. 024-21

Applies to:

All types of davits.

Description:

A minor incident occurred on board of a passenger ship, when the aft hook of a lifeboat has detached from the master link. The aft part of the boat has fallen down on the deck, resulting in a damage to the boat hull, propeller and rudder.

A visual inspection was performed on the boat hook, which has found the lateral safety lid deformed outwards, as visible in this picture:



Photo n.1
The bent side-lid
detected after
the accident

Hence, based on past experiences with very similar type of damage, we have concluded that the root cause of the accident is the incomplete insertion of the master link into the hook. If inserted incorrectly, i.e. not fully, the master link has a possibility to exit the hook sideways, by bending the side-lid:



Photo n.2
An example of the incorrect (incomplete) master link insertion

The following picture shows the reconstructed path of the master link during the detachment:

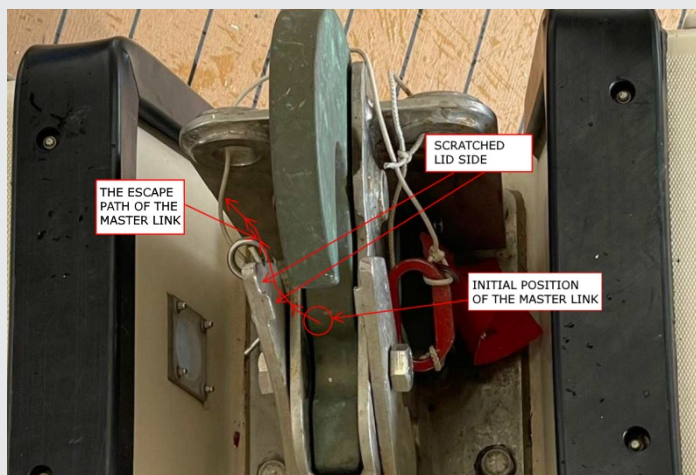


Photo n.3
The reconstructed master link escape path

Technical solutions to the issue:

An improved version of the master link can be supplied, which adopts two specially-shaped safety blocks in order to impede the incomplete insertion into the boat hook:

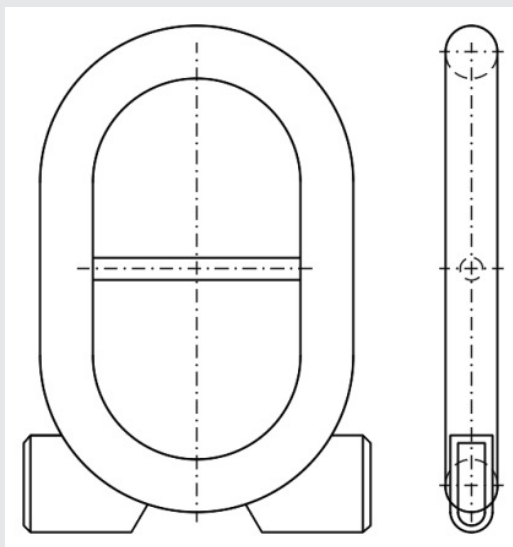


Photo n.4
The modified
master link
with safety
blocks

Where applicable, a similarly-shaped plate link can be supplied as well:

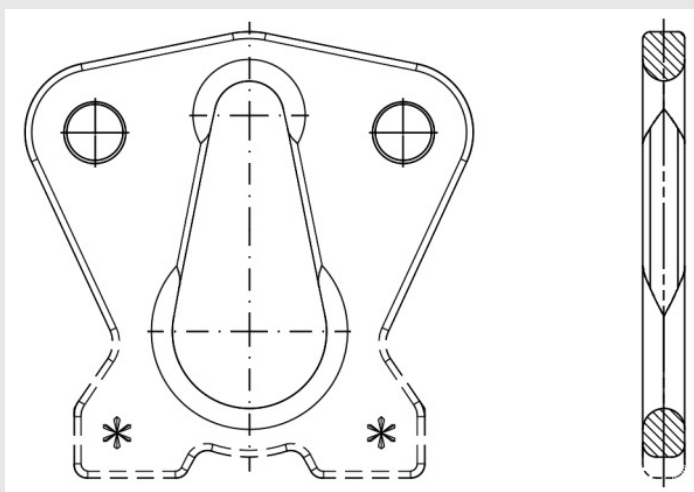


Photo n.5
Special master
link with safety
blocks



Recommendations:

- 1.** File this bulletin within your Operating and Maintenance Manual
- 2.** Only trained crew, familiar with the davit operations procedures, should be authorised to operate the davits and to perform hooking and unhooking operations.
- 3.** Crew should read carefully and get familiar with the davit and winch operating manuals, and with the issued technical bulletins, before using the boat davit and the winch.
- 4.** Crew should always check that the master link (or plate link) is correctly and entirely inserted into the boat hook. Pay particular attention to not make an error shown in the pic. 2.
- 5.** It is advised to adopt the modified master link or plate link, shown in the pics. 4 and 5.

Should you require more information or assistance on your Navalimpianti-Tecnimpianti equipment please refer to your nearest/preferred Navalimpianti-Tecnimpianti service centre.

NAVALIMPIANTI

Salita Guardia, 60 A
16014 Ceranesi (GE) - Italy
Phone + 39 010 7237 1
Fax +39 010 710 173
Email navim@navim.com

Via Terza Armata, 18
34074 Monfalcone (Go) - Italy
Phone +39 0481 490 111
Fax +39 0481 410 659
Email navimmo@navim.com

Via dei Pescatori Z.I. Porto
16129 Genova - Italy
Phone +39 010 246 1013
Fax +39 010 247 1030
Email service@navim.com
Mobile +39 348 330 31 69

NAVALIMPIANTI CHINA

Unit 1101 A, Xin Cheng Mansion
No 167 Jiang Ning Rd.
200041 Shanghai P.R. China
Phone +86 21 6258 7116
Fax +86 21 6258 7169
Email navimchina@navim.com

NAVALIMPIANTI HONG KONG

7Flat/RM A, 12 Floor,
Kiu Fu Commercial Building
Hong Kong
Phone +86 21.6258.7116
Fax +86 21.6258.7169
Email: navimhk@navim.com

NAVALIMPIANTI PULA

Mletacka, 12
52100 Pula - Hrvatska
Phone +385 52 216 590
Fax +385 52 216 590
Email navimpula@navim.com

NAVALIMPIANTI SINGAPORE

50 Tuas Avenue 11
#02-40 Tuas Lot
Singapore 639107
Phone +65 6659 8997 / +65 6659 8929
Fax +65 6659 8870
Email service-sea@navim.com

NAVALIMPIANTI USA

900 N.W. 10th Avenue
Fort Lauderdale FL 33311 - USA
Phone +1 954 585 7041
Fax +1 954 585 7042
Email navimusa@navim.com

TECNIMPIANTI

Z. I. Strada Consortile Fiume Torto
90018 Termini Imerese (PA) - Italy
Phone +39 091 814 0283
Fax +39 091 814 0325
Email info@tecnimpiantispa.com
Mobile +39 348 320 66 50

TECNIMPIANTI LIVORNO

Via Edda Fagni 45
57126 Livorno
Phone +39 0586 954086
Fax +39 0586 953736
Email livorno@tcimp.com

TECNIMPIANTI ANTWERP

Havinkbeekstraat 22
9130 Vervebroek Belgium
Phone +32 3 568 01 27
Fax +32 3 253 11 39
Email info@tecnimpiantiantwerp.com

Technical Bulletin Nr. XXX-21



**Service
& Commissioning**

by Navim Group